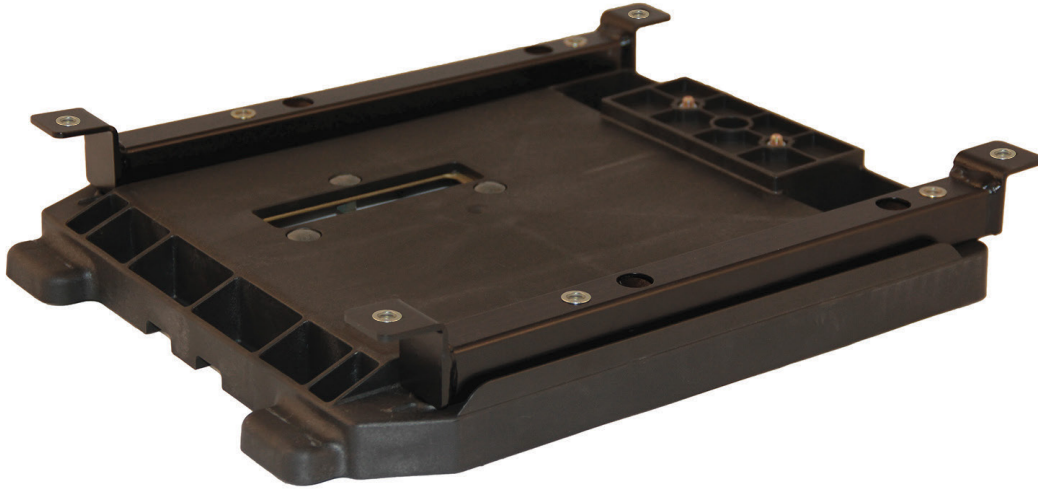


RZR SEAT INSTALL INSTRUCTIONS

STEP #1 Seats with Factory Sliders, Position the mounts so that the taller tabs are towards the front of the factory seat base.

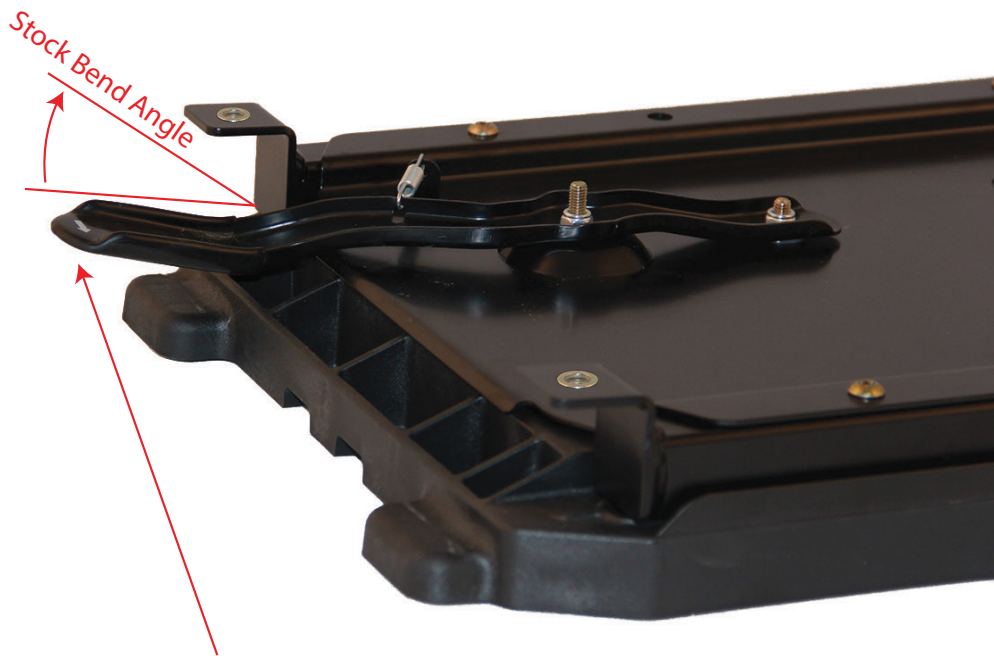


STEP #2

Driver Side: Bolt the rails to the plastic base using the factory hardware and the 1/4-20 lock nuts supplied. "Do not forget to use the factory spacers so that the base can slide forward and backward."

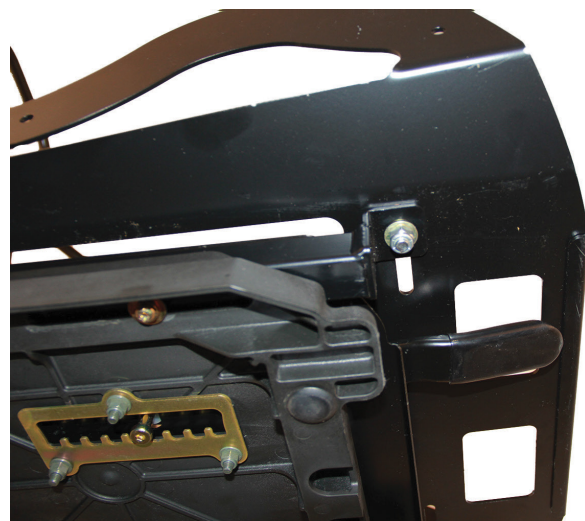


STEP# 3 Flatten the handle on the factory slider and bolt it to the riv-nuts on the top side of the mounts using the factory 1/4-20 bolts.



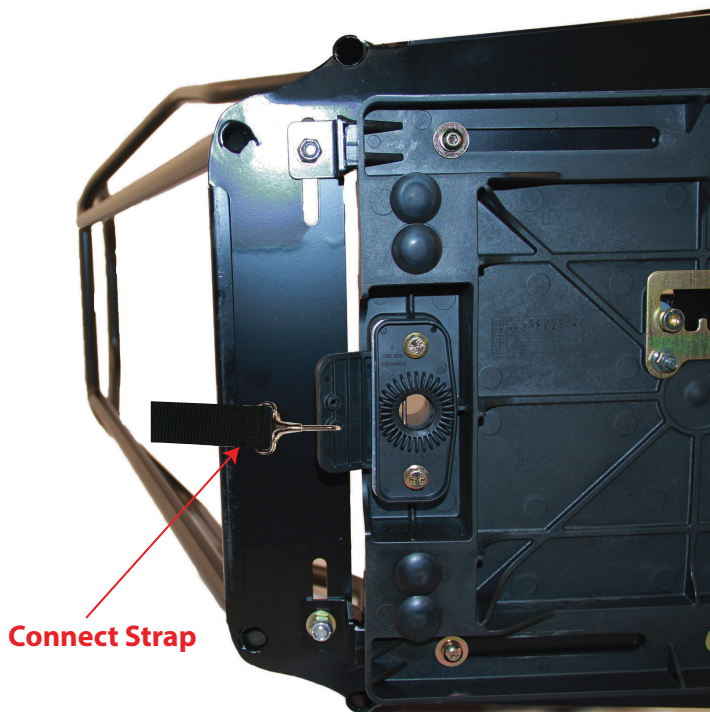
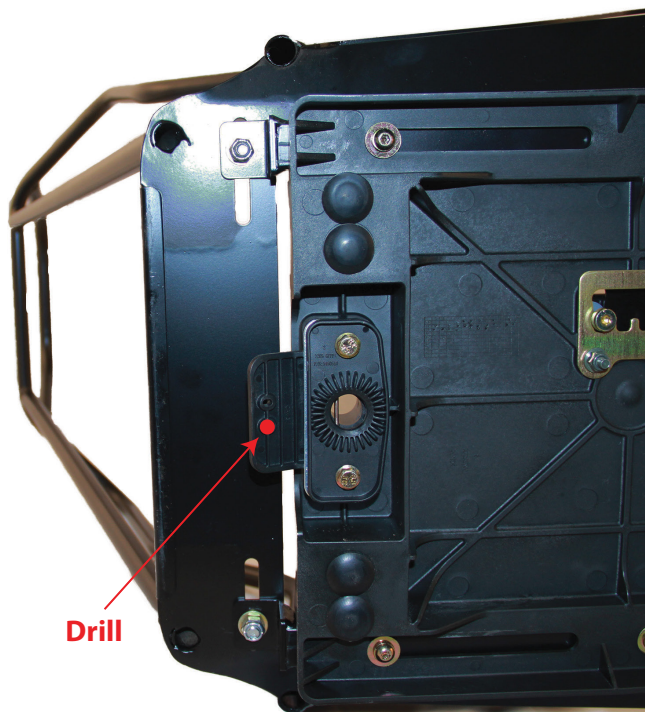
Picture shows flattened handle.

STEP 4 Remove the seat cushion and loosely bolt the entire assembly to the bottom of the seat using the 1/4-20 bolts and washers supplied. Mount the seat in the vehicle, once the desired position is acquired side to side tighten the 1/4-20 bolts that secure the seat to the mounts.



STEP 5 ***"VERY IMPORTANT"********

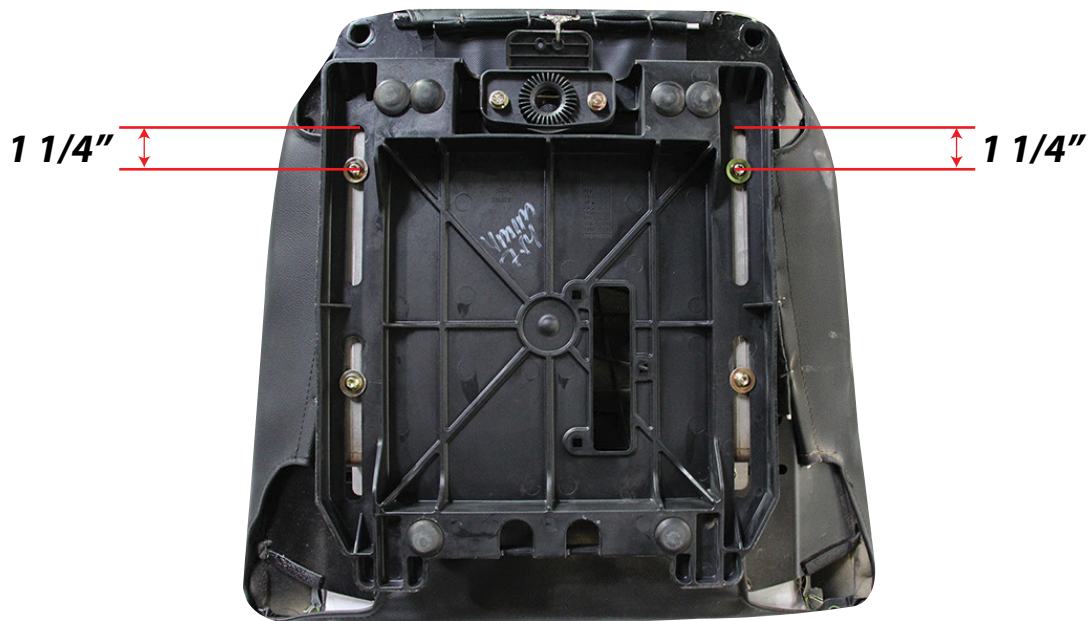
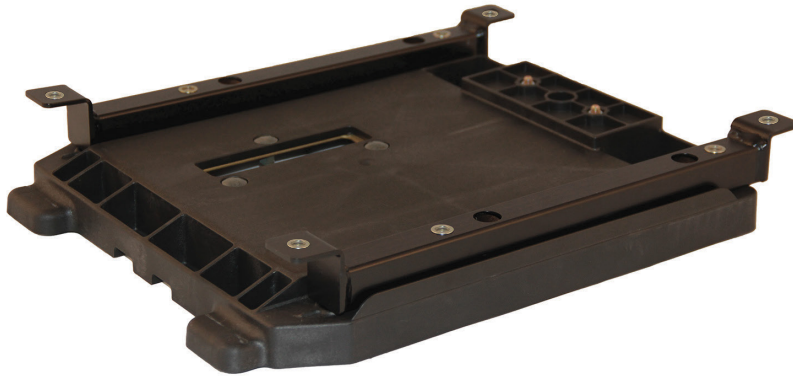
Before installing the seat make sure to attach the release strap running down the back of the seat to the OEM release lever otherwise you will not be able to remove the seat from the vehicle. This is made easier by drilling out one of the preexsition holes with a 3/16" drill.



Seats without factory sliders:

Loosly bolt the mounts to the plastic base using the factory hardware. Position the factory screw centers 1 1/4" from the edge of the back slot in the plastic base (see picture below) and tighten. Remove the seat cushion and loosely bolt the entire assembly to the bottom of the seat (see Step 4) using the 1/4-20 bolts and washers supplied. **"VERY IMPORTANT"** Before installing the seat make sure to attach the release strap running down the back of our seat to the OEM release lever otherwise you will not be able to remove the seat (See Step #5). Mount the seat in the vehicle, once the desired position is acquired side to side tighten the 1/4-20 bolts that secure the seat to the mounts and replace the seat cushion.

Position the mounts so that the taller tabs are towards the front of the factory seat base.



SHOP ONLINE AT WWW.TEAMSIMPSON.COM OR CALL (310) 325-6035

WEST COAST SEAT SALES
SIMPSON FACTORY SHOWROOM
1405 W. 240th Street
Harbor City, CA 90710

Toll Free: 800-929-7223
Phone: 310-325-6035
Fax: 310-320-7179